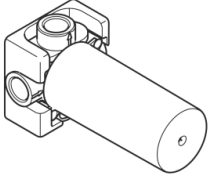


## Concealed two-way diverter -

---

35 124 970

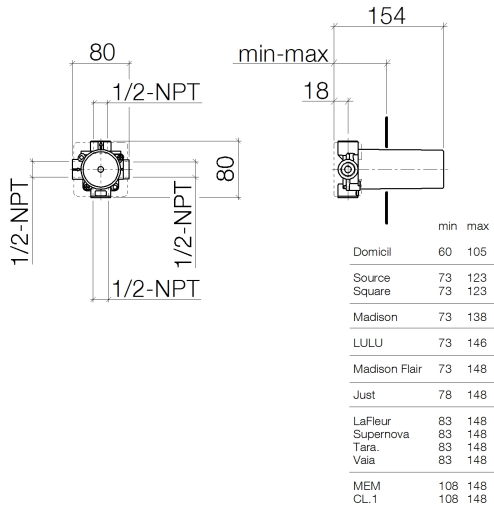


- red brass, lead-free
- 2x female thread 1/2" connections
- 2x female thread 1/2" outlet
- cut-to-length spindle and sleeve
- dust cover
- anti-water packing
- soundproofing

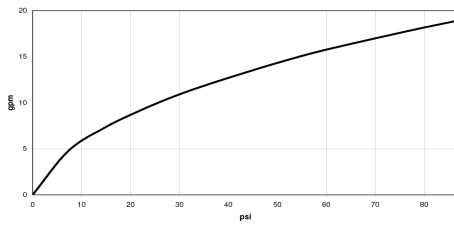


## Concealed two-way diverter -

35 124 970



## Flow rate chart



## Codes & Standards

ASME  
A112.18.1/CSA  
B125.1

California Energy  
Commission  
(CEC)



## Concealed two-way diverter -

---

35 124 970

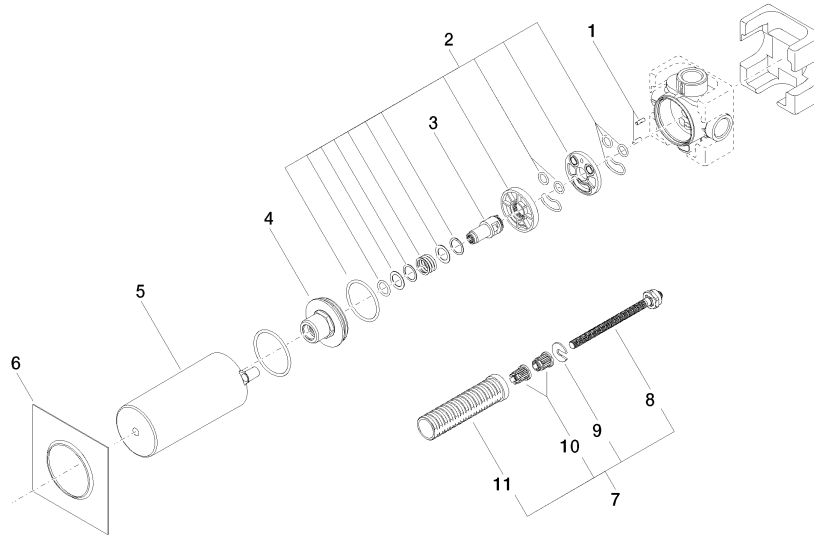
### Certificates

---

IAPMO\_4976 (3).

**Concealed two-way diverter -**

35 124 970



**Spare parts list**

No.	Item Number	Name	Quantity used	Delivery time
1	09 31 11 151 90	pin	1	2
2	90 30 11 085 00 90	set	1	2
3	09 29 06 025 90	spindle	1	2
4	09 21 02 124 90	lid	1	2
5	09 21 02 125 90	cap	1	2
6	09 14 03 109 90	seal	1	2
7	90 18 40 077 00 90	spindle	1	2
8	04 29 06 105 00 90	spindle	1	60
9	09 16 01 026 90	ring	1	2
10	90 12 12 002 00 90	fixing cap	1	2
11	90 18 40 077 01 90	spindle	1	2